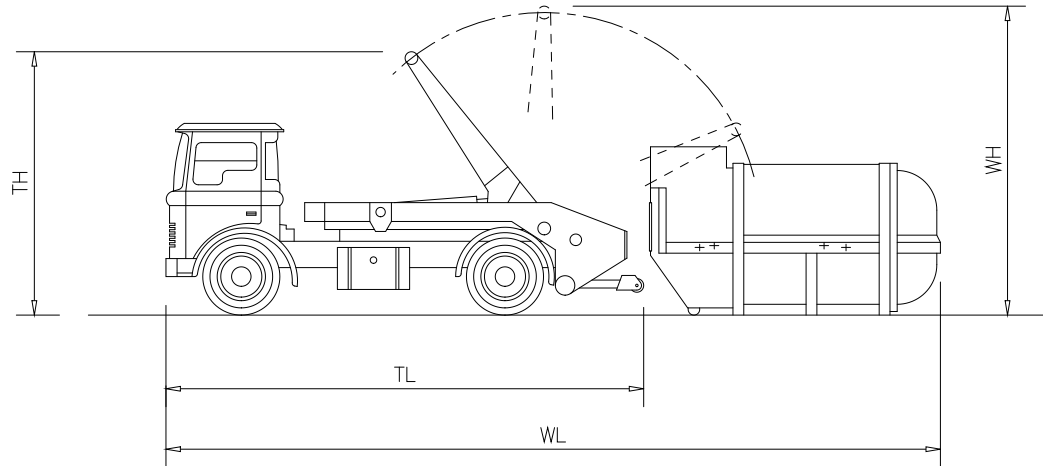


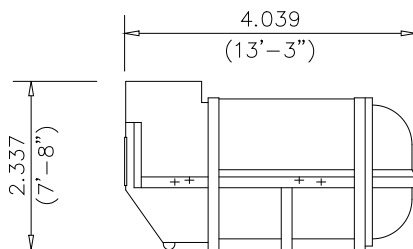
System Specifications

SKIP TYPE CONTAINER VEHICLE

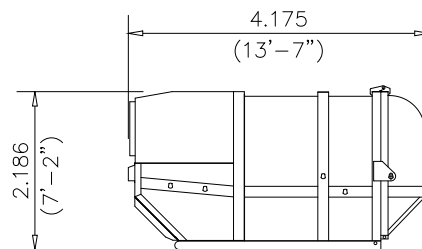


ALL VEHICLE DIMENSIONS ARE APPROXIMATE ACCORDING TO VEHICLE MODEL / CHASSIS HEIGHT

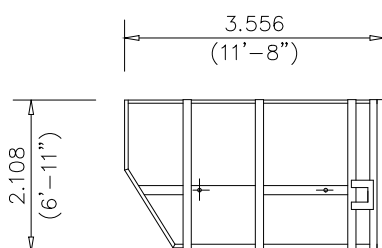
		Travel Length	Working Length	Travel Height	Working Height	Turning Circle	Payload
		TL	WL	TH	WH	(kerb to kerb)	
17 TON GVW (2 axles)	Metres (max)	7.5	10.75	3.8	4.7	13.5	9250 kg
	Feet (max)	24'-7"	35'-3"	12'-6"	15'-5"	44'-3"	9.1 T
24 TON GVW (3 axles)	Metres (max)	7.9	12.95	4.2	4.8	16.0	12750 kg
	Feet (max)	25'-11"	42'-6"	13'-10"	15'-9"	52'-6"	12.5 T



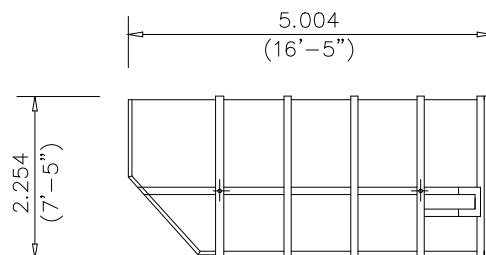
PP1 - PortaPacker 14



PortaPacker Power Plus




10.7cu.m (14cu.yd) Compaction Container



15.3cu.m (20cu.yd) Compaction Container

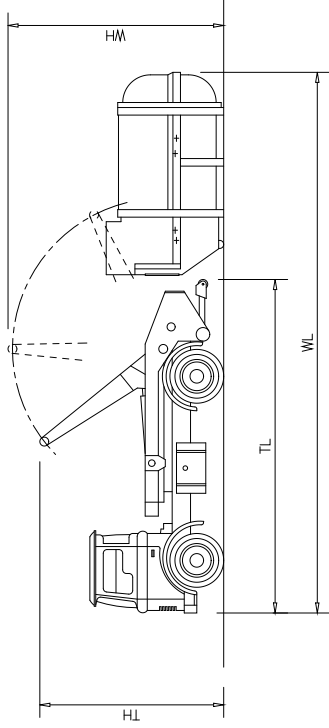
ALL CONTAINERS ARE 1.86m (6'-1") WIDE

G: \DRGS\MISC\PUBSHT1

O1 GENERAL UPDATE		LD/15.02.08	SCALE 1:100 SCALED	DRAWN	LD/CAD	 THETFORD INTERNATIONAL LIMITED RYMER POINT BURY RD THETFORD NORFOLK IP24 2PN TEL: THETFORD (01842) 890500 FAX: (01842) 890077
MOD REVISION		BY/DATE		CHKD		
THIS DRAWING IS ISSUED ON CONDITION THAT IT IS NOT COPIED, REPRODUCED OR DISCLOSED TO A THIRD PARTY WITHOUT THE WRITTEN CONSENT OF THE THETFORD INTERNATIONAL LIMITED				APPD		DRAWING TITLE SKIP TYPE CONTAINER VEHICLE STANDARD
				DATE	15.02.08	

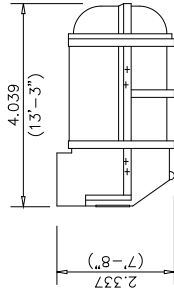
System Specifications

SKIP TYPE CONTAINER
VEHICLE

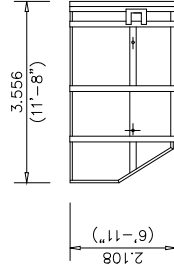


ALL VEHICLE DIMENSIONS ARE APPROXIMATE ACCORDING TO VEHICLE MODEL / CHASSIS HEIGHT

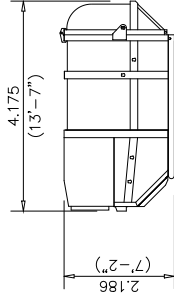
17 TON GVW (2 axles)	24 TON GVW (3 axles)	Travel Length TL	Working Length WL	Travel Height TH	Working Height WH	Turning Circle (kerb to kerb)	Payload
Mètres (max) 7.5	Mètres (max) 7.9	10.75	10.75	3.8	4.7	13.5	9250 kg
Feet (max) 24'-7"	Feet (max) 25'-11"	35'-3"	35'-3"	12'-6"	15'-5"	44'-3"	9.1 T
Mètres (max) 4.2	Mètres (max) 4.2	12.95	12.95	4.2	4.8	16.0	12750 kg
Feet (max) 13'-10"	Feet (max) 13'-10"	42'-6"	42'-6"	13'-10"	15'-9"	52'-6"	12.5 T



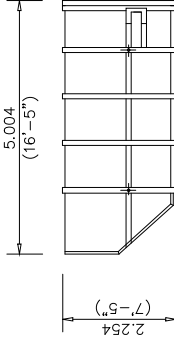
PP1 - PortaPacker 14



10.7cu.m (14cu.yd) Compaction Container



PortaPacker Power Plus



15.3cu.m (20cu.yd) Compaction Container

ALL CONTAINERS ARE 1.86m (6'-1") WIDE

6: \Dres\MISC\PUBSHT1

OT	GENERAL UPDATE	SCALE	DRAWN	LD/CAD
MOD	REVISION	1:100 SCALED	CHD	
	BY/DATE		APPD	
			DATE	15/02/08

THETFORD INTERNATIONAL

 THETFORD INTERNATIONAL LIMITED
 RYMER POINT BURY RD THETFORD NORFOLK IP24 2PN
 TEL: THETFORD (01842) 890500 FAX: (01842) 890077

DRAWING TITLE: SKIP TYPE CONTAINER VEHICLE
 DRAWING No: PUBSHT1
 STANDARD: STANDARD

THIS DRAWING IS ISSUED ON CONDITION THAT IT IS NOT COPIED, REPRODUCED OR DISCLOSED TO A THIRD PARTY WITHOUT THE WRITTEN CONSENT OF THETFORD INTERNATIONAL LIMITED