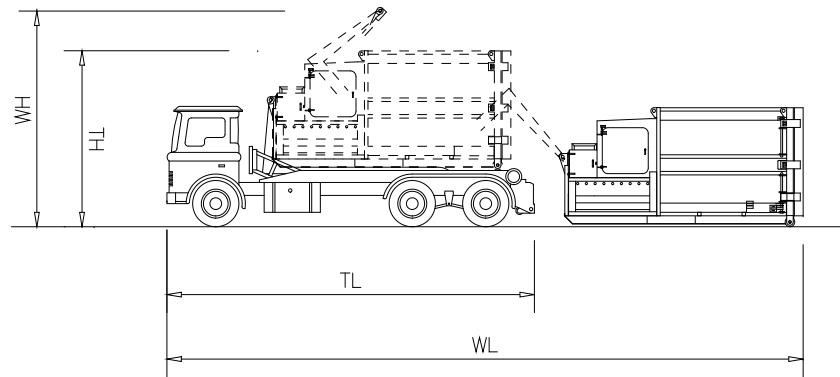


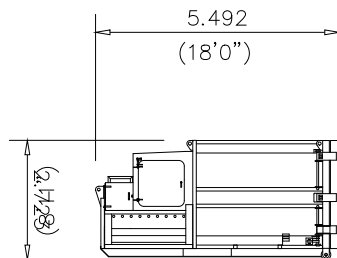
System Specifications

ROLONOF (HOOK TYPE) CONTAINER
VEHICLE 26/6

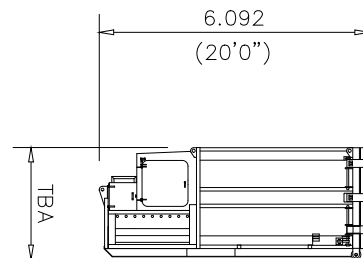


ALL VEHICLE DIMENSIONS ARE APPROXIMATE ACCORDING TO VEHICLE MODEL/CHASSIS HEIGHT

		Travel Length	Working Length	Travel Height	Working Height	Turning Circle	Payload
		TL	WL	TH	WH	(kerb to kerb)	
26 TON GVW (3 axles)	Metres (max)	8.5	14.6	4.0	5.0	17.4	15500 kg
	Feet (max)	27'-10"	47'-11"	13'-1"	16'-5"	57'-1"	15.3 T




ULT25 - 25yd Demountable
Compactor



ULT25 - 25yd Demountable
Compactor (Extended Base)

G:\DRGS\MISC\PUBSHT6

MOD		REVISION	BY/DATE	SCALE	DRAWN	LD/CAD	 THETFORD INTERNATIONAL LIMITED RYMER POINT BURY RD THETFORD NORFOLK IP24 2PN TEL: THETFORD (01842) 890500 FAX: (01842) 890077
O1	GENERAL UPDATE		LD/15.02.08	N.T.S.			
THIS DRAWING IS ISSUED ON CONDITION THAT IT IS NOT COPIED, REPRODUCED OR DISCLOSED TO A THIRD PARTY WITHOUT THE WRITTEN CONSENT OF THE THETFORD INTERNATIONAL LIMITED				APPD	DATE	15.02.08	ROLONOF (HOOK TYPE) CONTAINER VEHICLE 32/8 STANDARD