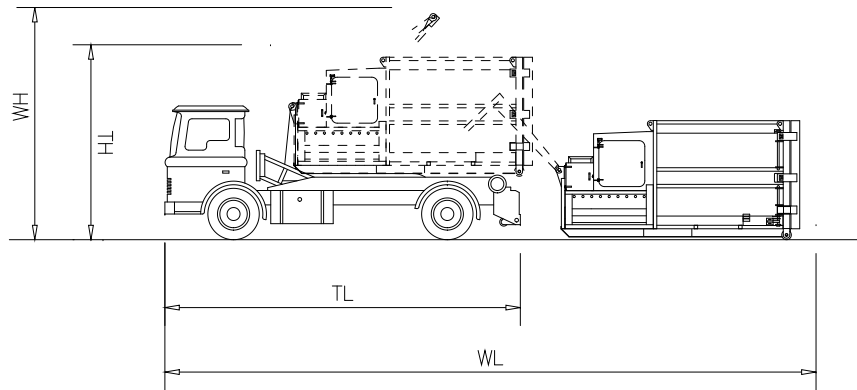


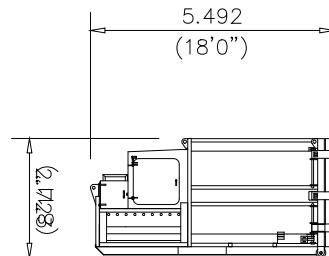
System Specifications

ROLONOF (HOOK TYPE) CONTAINER
VEHICLE 17/4




ALL VEHICLE DIMENSIONS ARE APPROXIMATE ACCORDING TO VEHICLE MODEL/CHASSIS HEIGHT

| | | Travel Length | Working Length | Travel Height | Working Height | Turning Circle | Payload |
|-------------------------|--------------|---------------|----------------|---------------|----------------|----------------|----------|
| | | TL | WL | TH | WH | (kerb to kerb) | |
| 17 TON GVW (2 axles) | Metres (max) | 7.4 | 12.8 | 4.0 | 5.0 | 14.7 | 10400 kg |
| | Feet (max) | 24'-5" | 42'-0" | 13'-1" | 16'-5" | 48'-3" | 10.25 T |



ULT25 - 25yd Demountable
Compactor

G:\DRGS\MISC\PUBSHT7

| MOD | | REVISION | BY/DATE | SCALE | DRAWN | LD/CAD |  THETFORD INTERNATIONAL | THETFORD INTERNATIONAL LIMITED RYMER POINT BURY RD THETFORD NORFOLK IP24 2PN TEL: THETFORD (01842) 890500 FAX: (01842) 890077 | |
|---|--|----------------|-------------|-----------------|-------|----------|---|--|--|
| O1 | | GENERAL UPDATE | LD/15.02.08 | 1:100 SCALED | CHKD | | | | |
| THIS DRAWING IS ISSUED ON CONDITION THAT IT IS NOT COPIED, REPRODUCED OR DISCLOSED TO A THIRD PARTY WITHOUT THE WRITTEN CONSENT OF THE THETFORD INTERNATIONAL LIMITED | | | | | APPD | | DRAWING TITLE ROLONOF (HOOK TYPE) CONTAINER VEHICLE 17/4 | DRAWING No. PUBSHT7 | |
| | | | | | DATE | 15.02.08 | STANDARD | | |